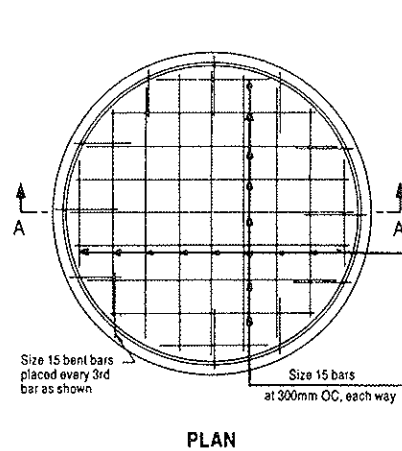
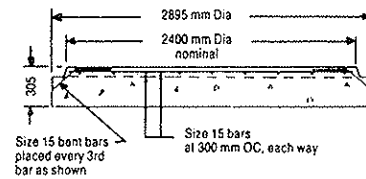


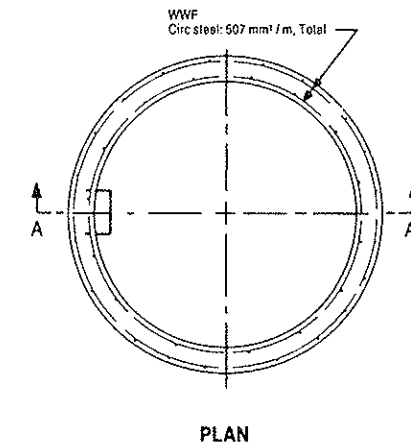
2400 to 1200 mm Dia



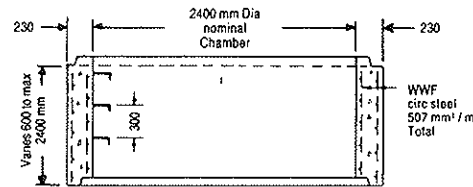
PLAN



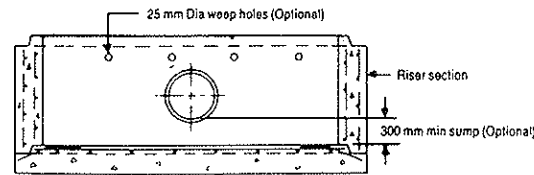
SECTION A-A  
BASE SLAB



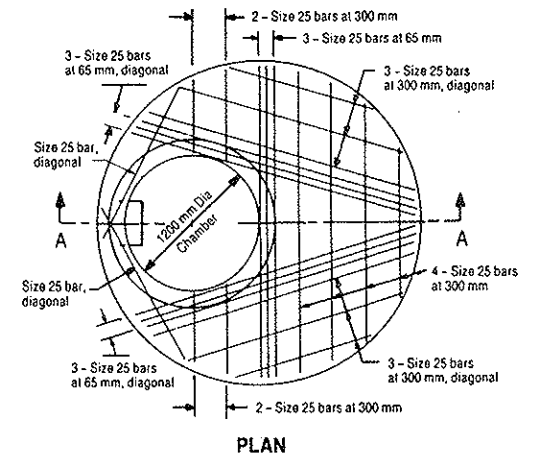
PLAN



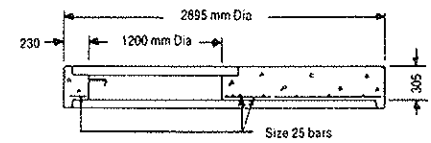
SECTION A-A  
RISER SECTION



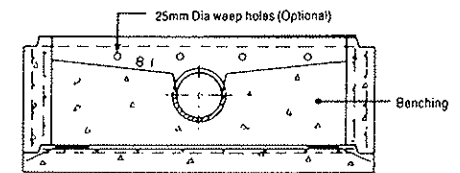
SUMP DETAIL



PLAN



SECTION A-A  
TRANSITION SLAB



BENCHING DETAIL  
(Optional)

**NOTES:**

- A Max straight through pipe size: 1500 mm dia.  
Max right angle installation pipe size: 1050 mm dia.
- B All reinforcing steel shall have 25 mm min cover.
- C Weep holes, where required, shall be placed so that the bottom of the weeper on the inside and the top of the weeper on the outside are level.
- D All dimensions are in millimetres unless otherwise specified.
- E Structures exceeding 5.0 m in depth to include safety grate as per OPSD-404.02.



R.R. #3, Guelph, Ontario N1H 6H9  
Tel: 1-800-668-PIPE (7473)

**CON CAST PIPE**

No. 701.06

**2400 mm Dia.  
PRECAST CONCRETE  
MAINTENANCE HOLES (COMPONENTS)  
DEPTH - 10.0 m MAX**